

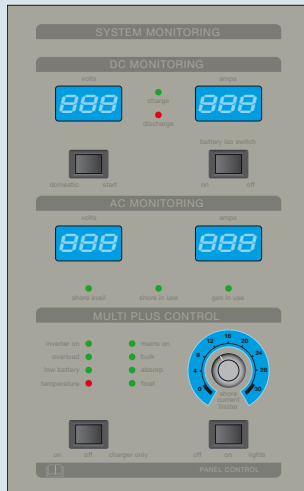
ESP PANELS™ & SYSTEM COMPONENTS

Brochure, Instruction and connection manual



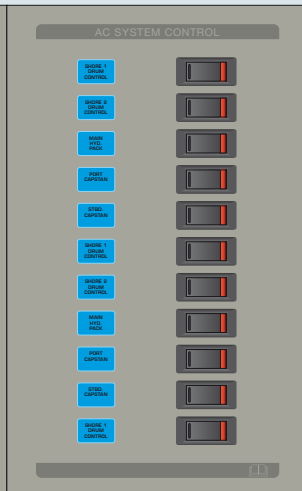
Panel range

System monitoring panel
ESP-system



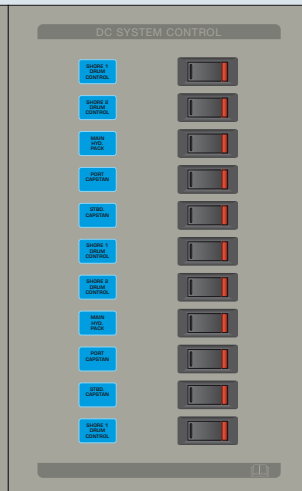
Control panel
ESP-CONTROL

AC circuit breaker panel
ESP-AC-20A-11



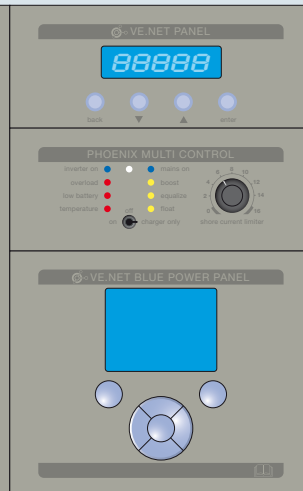
AC circuit breaker panel
ESP-AC-20A-04

DC circuit breaker panel
ESP-DC-20A-11



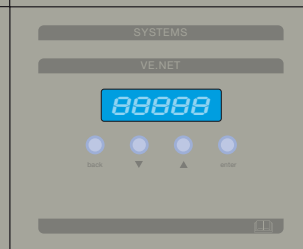
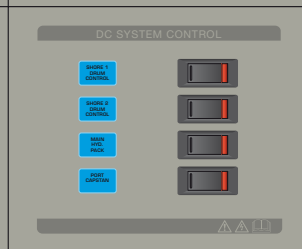
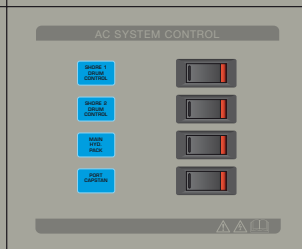
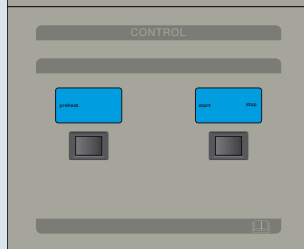
DC circuit breaker panel
ESP-DC-20A-04

ESP VE-Net panel
ESP-VE-NET



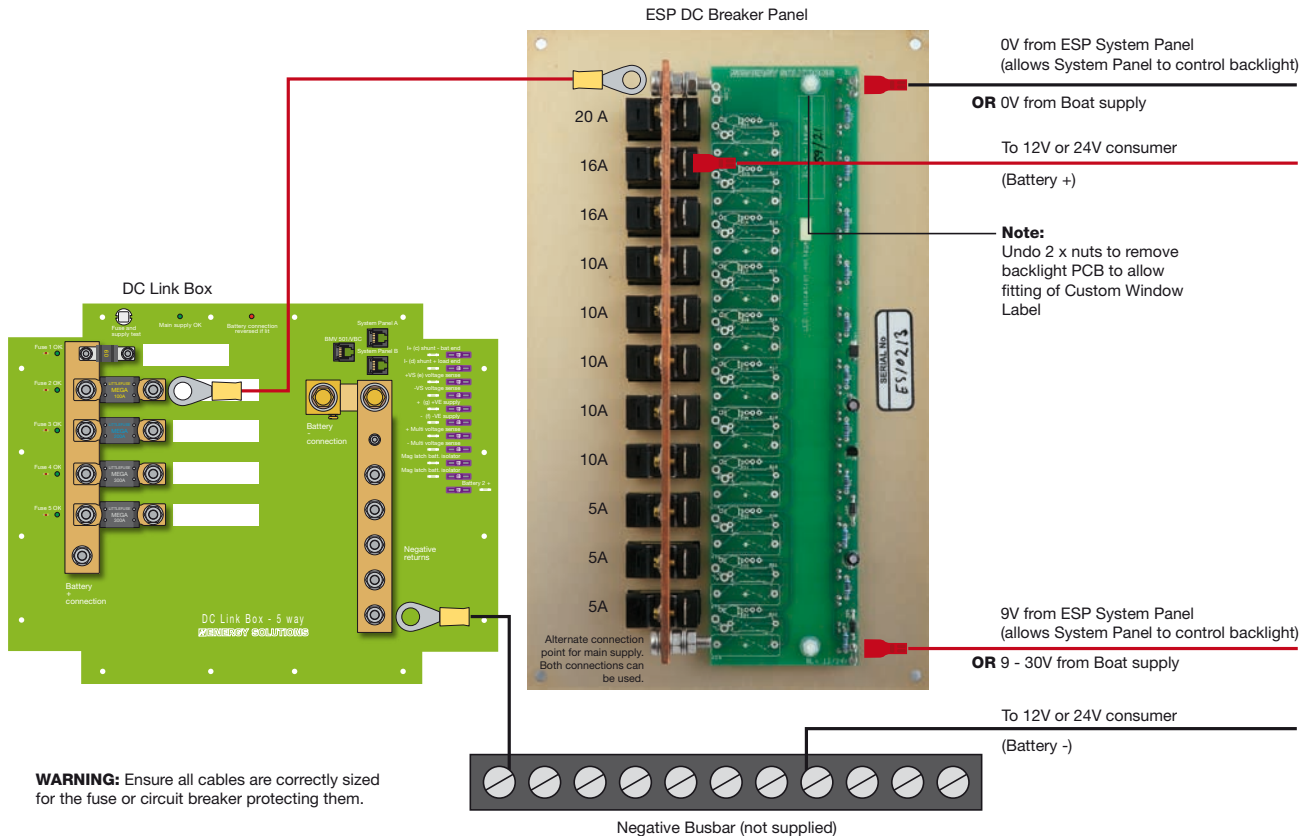
ESP Phoenix Multi Control panel
ESP-MULTI

ESP VE-Net Blue Power panel
ESP-VE.NET BLUE

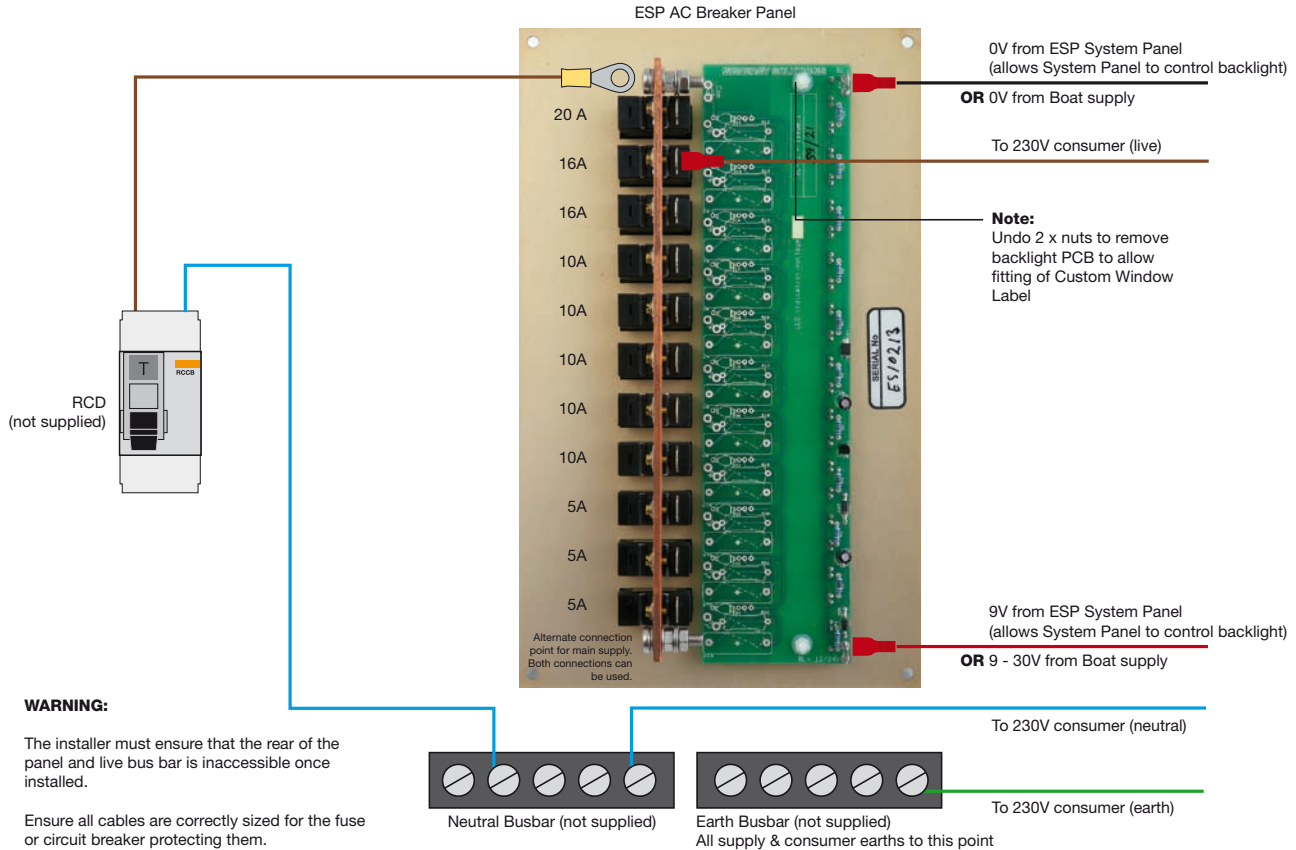


VE-Net panel
ESP-VE-NET

Connections to ESP DC Breaker Panel



Connections to ESP Breaker Panel - with single AC group

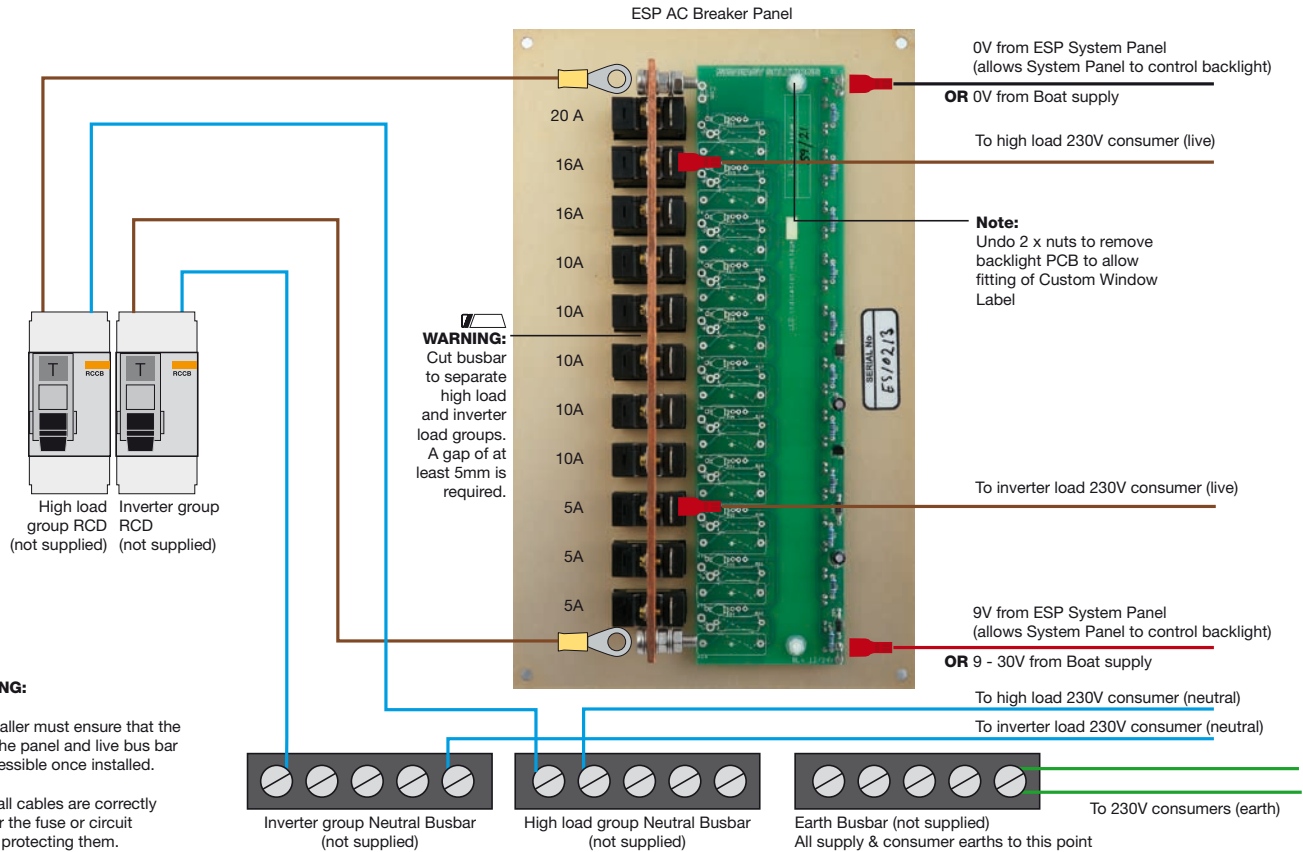


WARNING:

The installer must ensure that the rear of the panel and live bus bar is inaccessible once installed.

Ensure all cables are correctly sized for the fuse or circuit breaker protecting them.

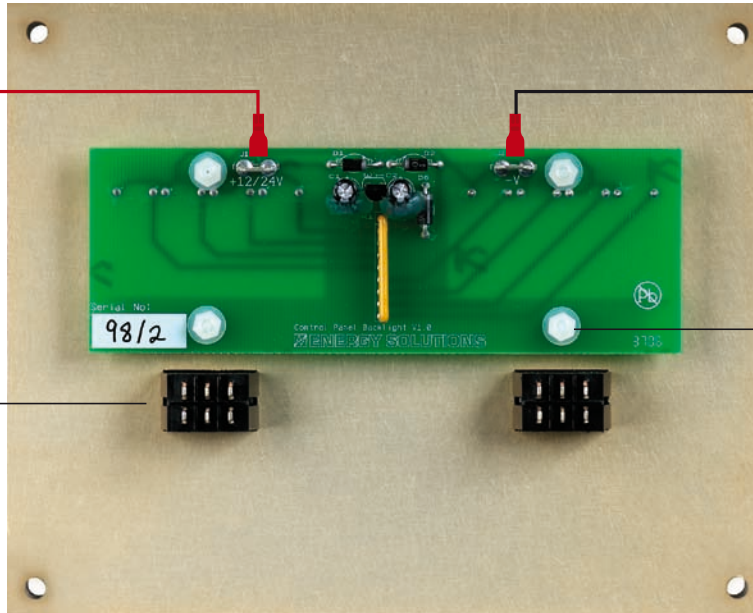
Connections to ESP AC Breaker Panel - with two AC groups



Control Panel

9V from ESP System Panel
(allows System Panel to control backlight)
OR 9 - 30V from Boat supply

0V from ESP System Panel
(allows System Panel to control backlight)
OR 0V from Boat supply



Note:

A connection PCB is supplied loose. This allows alternate switch actions to be fitted prior to the connection PCB being soldered onto the switch. Your distributor can fit the PCB and switch at time of ordering.

Switch capacity is 4 Amps max.

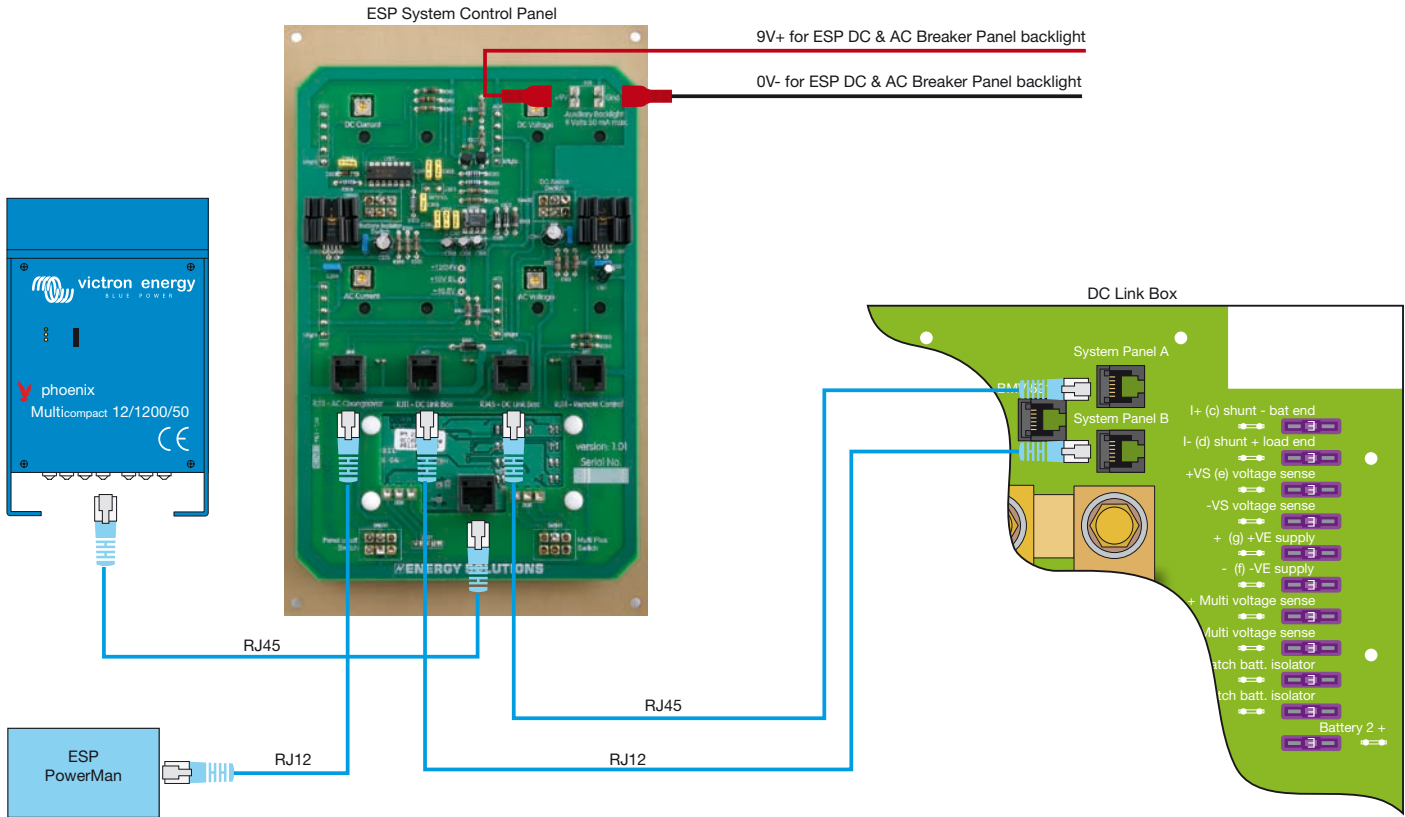
Switch supplied is centre off momentary either way.

Alternative switch actions can be purchased separately

Note:

Undo 4 x nuts to remove backlight PCB to allow fitting of Custom Window Label

Connections to ESP System Control Panel using Mark 2 DC Link Box



System Accessories

ESP PowerMan

The system panel acquires its AC voltage and current from the ESP PowerMan Unit. These provide automatic switching between shore power, generator and MultiPlus. In addition, high load circuits are disconnected when only Inverter power is available.

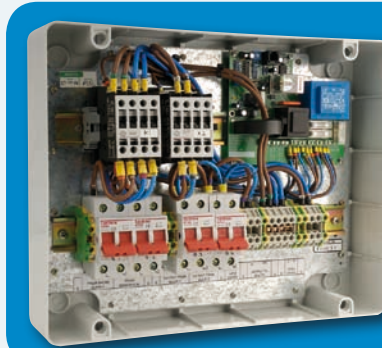
ESP PowerMan 20A

Designed for systems with up to 5Kw generator and one MultiPlus unit.



ESP PowerMan 32A

Designed for systems with up to 8Kw generator and one or two MultiPlus units.



ESP PowerMan 64A

Designed for systems with up to 16Kw generator and two to four MultiPlus units

DC Link Box

The system panel acquires its DC voltage and current from the DC Link Box.

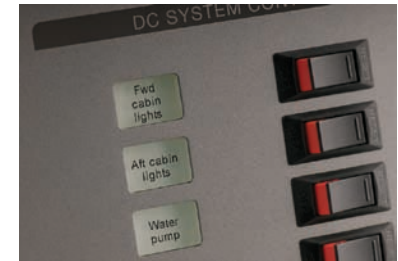
The Link Box provides primary protection for heavy DC consumers and avoids "spaghetti junction" wiring at the battery terminal.



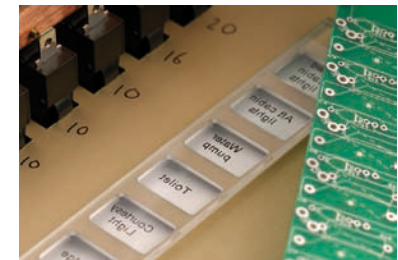
Labelling

Custom window labels

The Breaker and Control Panels are designed to accept custom legends, to suit your needs.

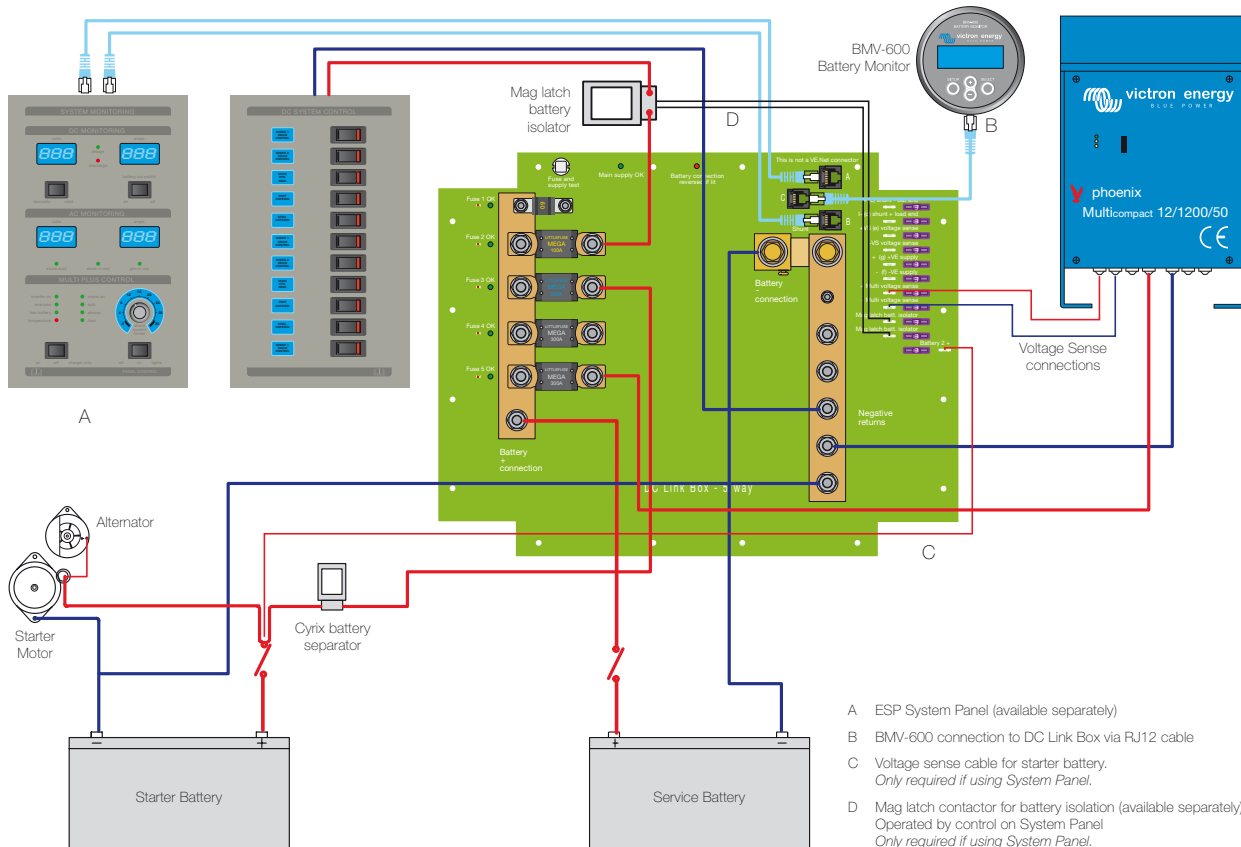


Easy to use MS Word templates for these are available for download at: www.victronenergy.com



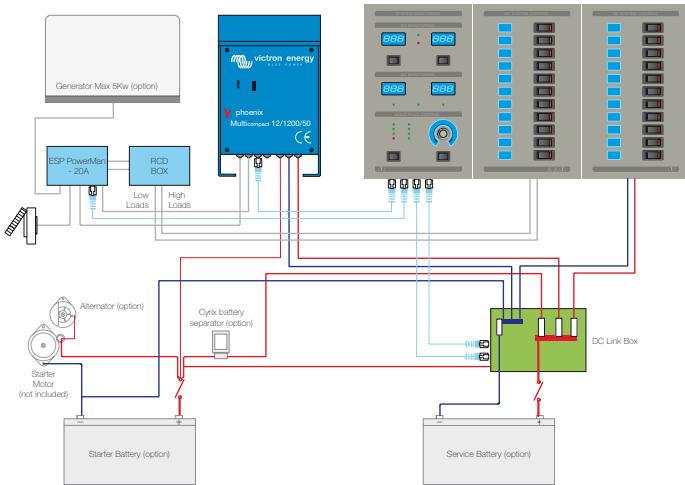
Simply fill these in, print on Laser Film and cut to size. To install the label, remove the backlight PCB by undoing the securing nuts. Lay the label onto the rear of the window and reassemble.

DC Link Box

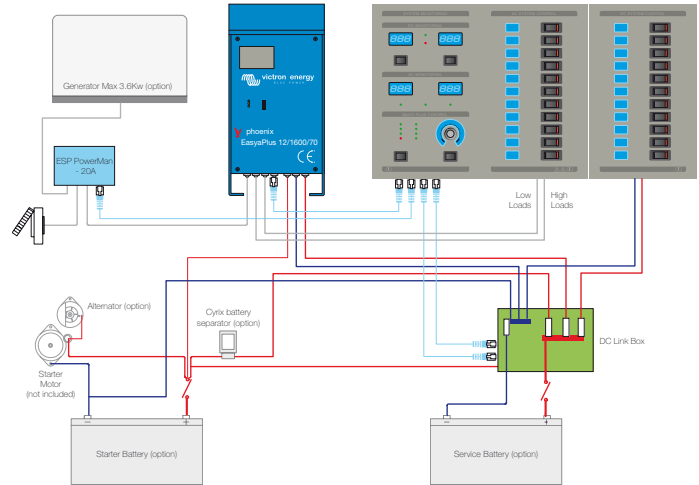


System In A Box™ schematic wiring diagrams

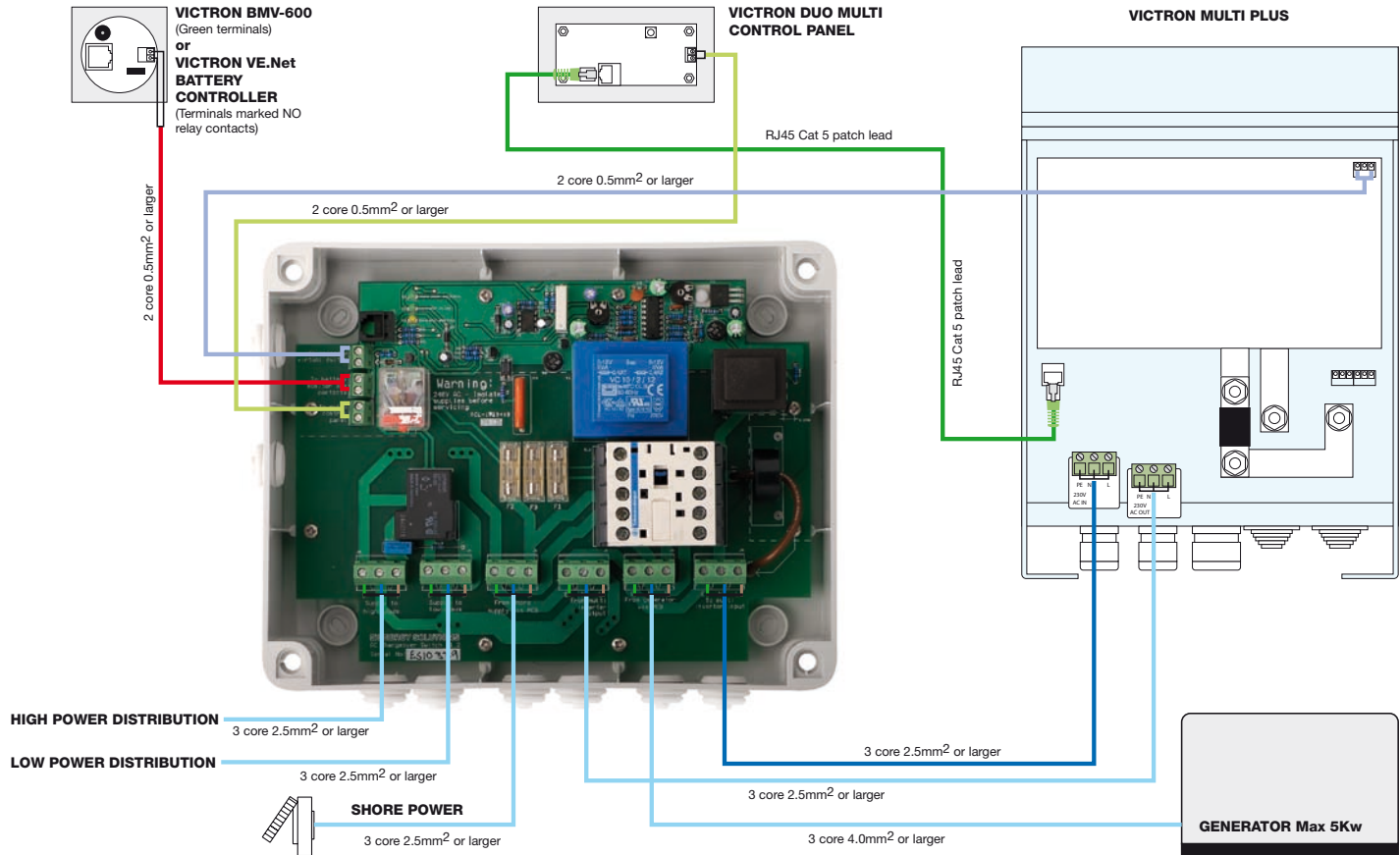
SYSTEM IN A BOX™ with MultiPlus



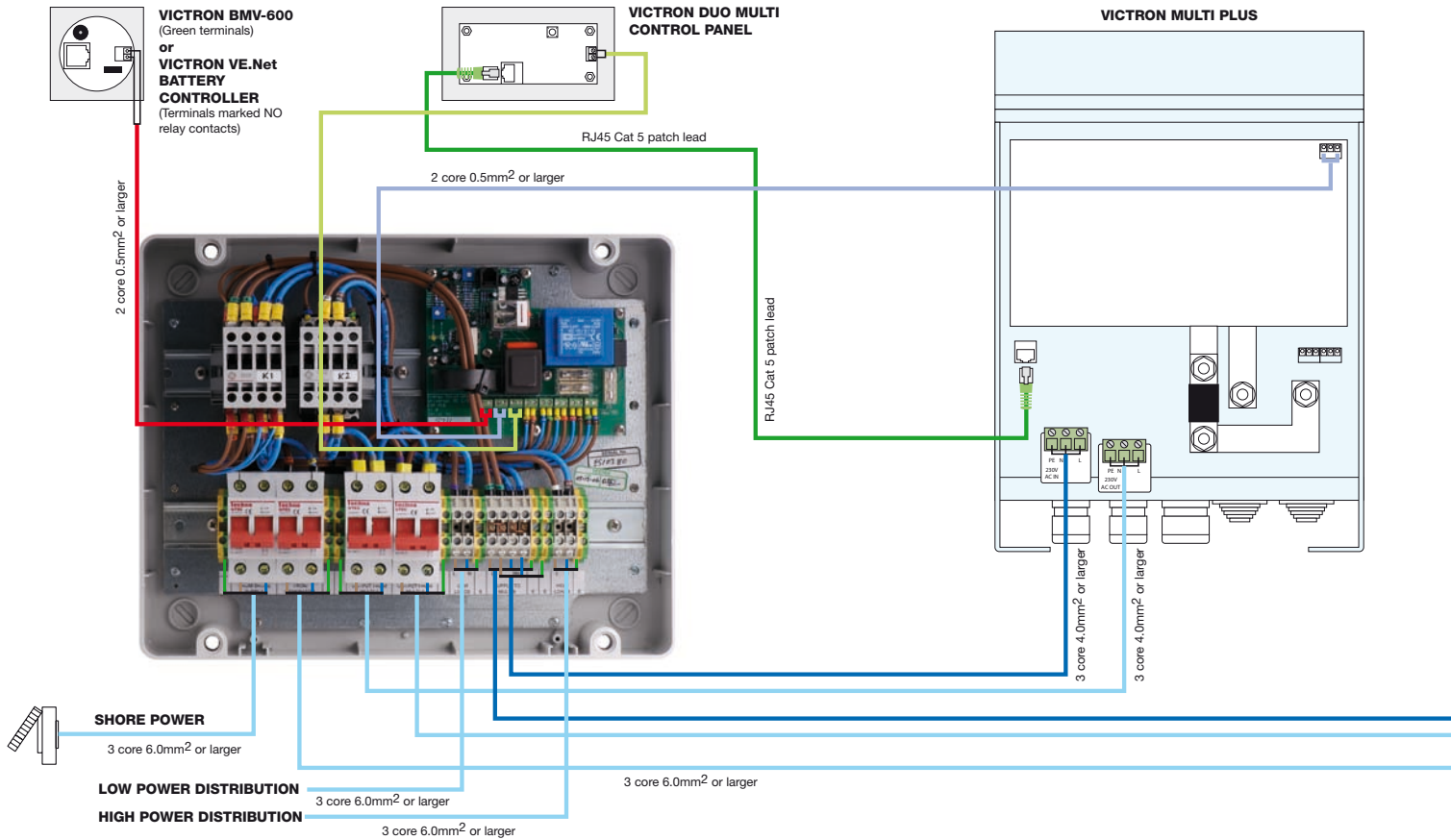
SYSTEM IN A BOX™ with Multi EasyPlus



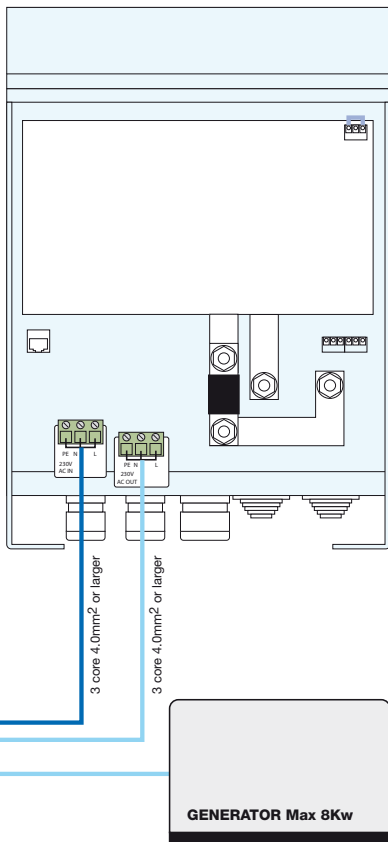
ESP PowerMan 20A connection diagram - MultiPlus



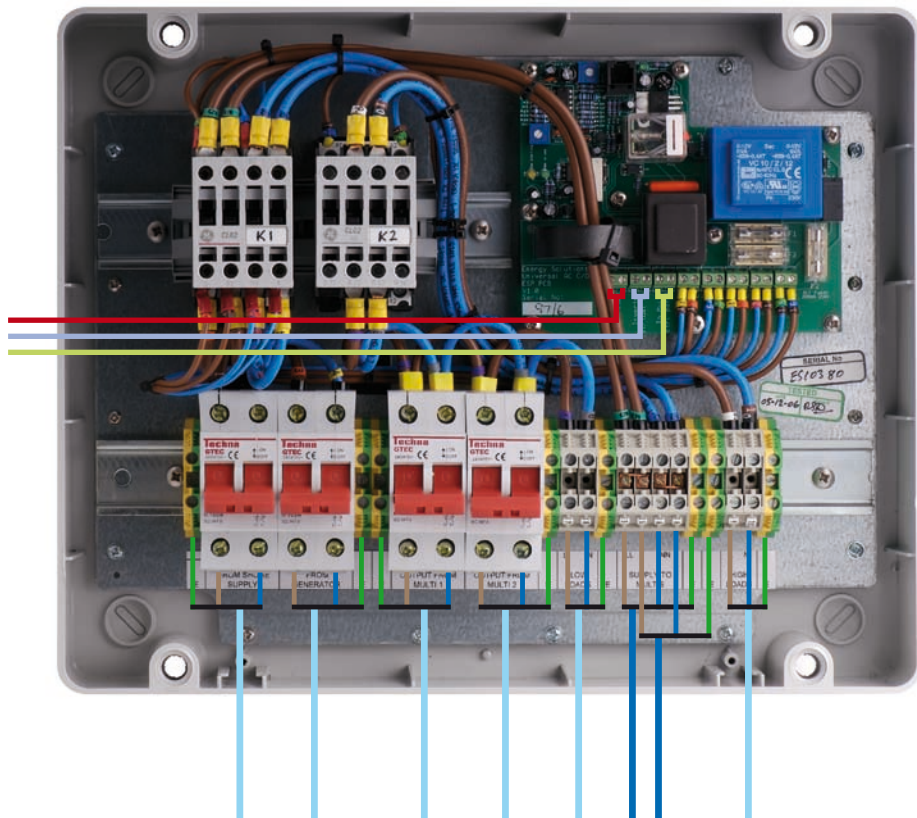
ESP PowerMan 32A connection diagram



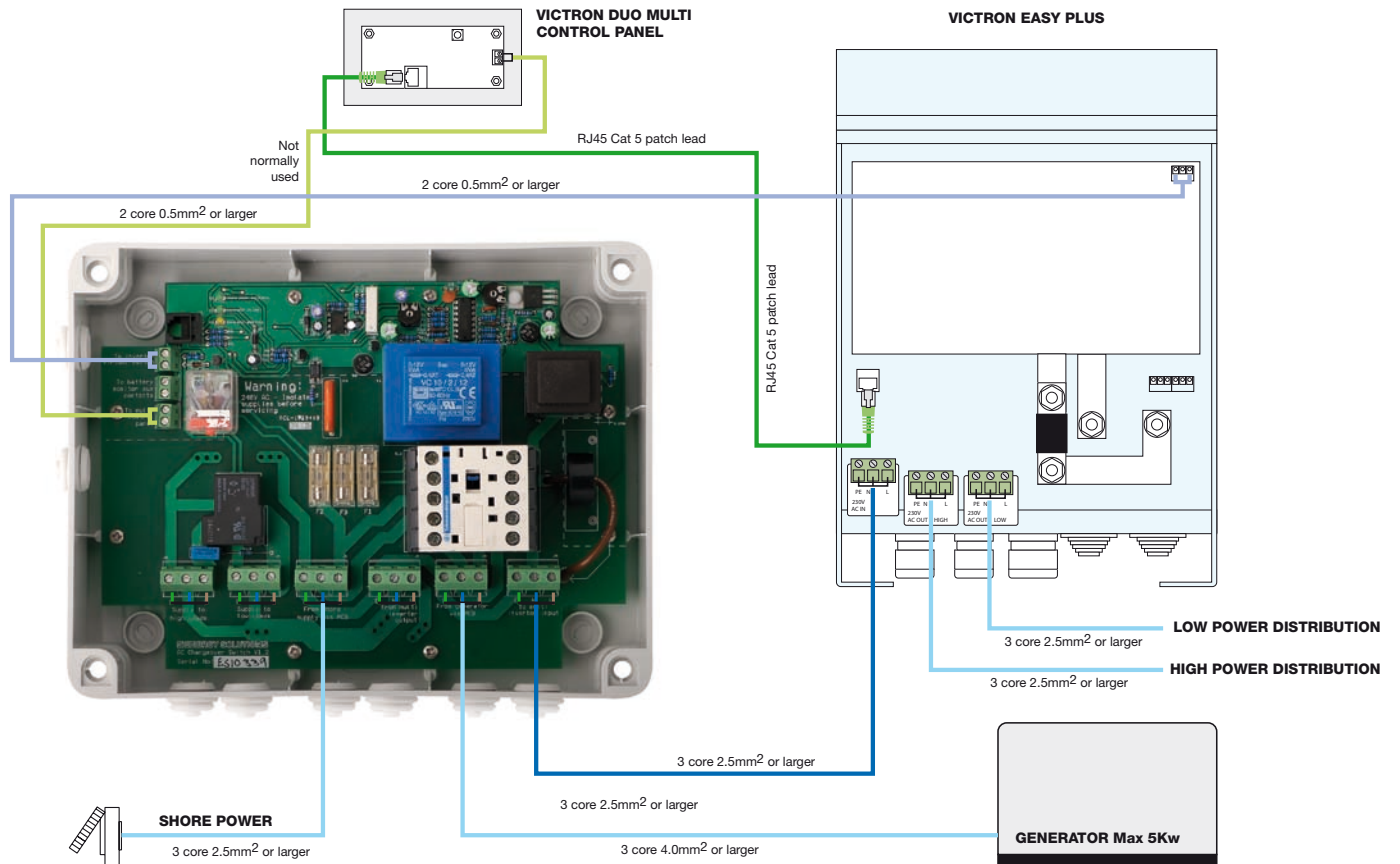
OPTIONAL SECOND - VICTRON MULTI PLUS



Termination detail

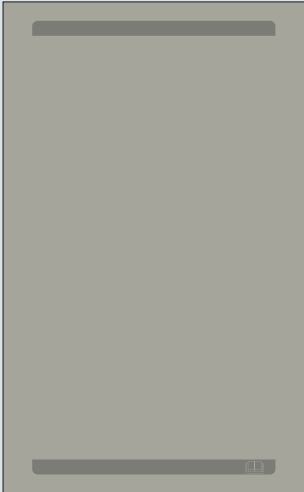


ESP PowerMan 20A connection diagram - EasyPlus



Product Dimensions

ESP Panels:



Full size panels:

System monitoring panel
ESP-SYSTEM

AC circuit breaker panel
ESP-AC-20A-11

DC circuit breaker panel
ESP-DC-20A-11

All panels:
160mm(W) x 260mm(H)



Half size panels:

ESP VE-Net Blue Power panel
ESP-VE.NET BLUE

VE.Net Panel
ESP-VE.NET

AC circuit breaker panel
ESP-AC-20A-04

DC circuit breaker panel
ESP-DC-20A-04

Control panel
ESP-CONTROL

Blank panel
ESP-BLANK-HALF SIZE

All panels:
160mm(W) x 130mm(H)



Quarter size panels:

ESP VE-Net panel
ESP-VE.NET

ESP Phoenix Multi Control panel
ESP-MULTI

Blank panel
ESP-BLANK- QUARTER SIZE

All panels:
160mm(W) x 65mm(H)

ESP PowerMan:

ESP PowerMan 20A - 250mm(L) x 200mm(W) x 95mm(H)

ESP PowerMan 32A - 380mm(L) x 300mm(W) x 120mm(H)

ESP PowerMan 64A - 460mm(L) x 380mm(W) x 180mm(H)

DC Link Box:

DC Link Box - 380mm(L) x 300mm(W) x 120mm(H)

SAL064110020 - (11/07)

ESP PANELS™

Distributed by:

Victron Energy B.V.

De Paal 35, 1351 JG Almere-Haven
P.O. Box 50016, 1305 AA Almere-Haven
The Netherlands

Tel. +31 (0)36 535 97 00
Fax +31 (0)36 531 16 66 (general + service)
Fax +31 (0)36 535 97 40 (sales)

E-mail sales@victronenergy.com
www.victronenergy.com



victron energy

BLUE POWER